

Any warranty claim must be accompanied by a copy of the original receipt showing date of purchase. Fill in this form only if your product has to be sent back for repair.

Lors d'une réclamation Aimpoint exige la présentation par l'acheteur d'une copie du reçu daté. Remplissez ce formulaire si votre produit doit être renvoyé pour réparation seulement.

Beim Eintreten eines Garantiefalles muss dem Produkt eine Kopie der Originalrechnung mit Angabe des Kaufdatums beigelegt werden. Dieses Formular bitte nur ausfüllen, wenn das Produkt zur Reparatur retourniert werden muss.

Cualquier reclamación en garantía deberá acompañarse con copia original de la nota de compra y la fecha de la misma. Rellene este formulario sólo en caso de que el producto deba enviarse a la empresa para su reparación.

För att reklamationen skall falla inom Aimpoints garanti, krävs att kunden styrker inköpsdatum med exempelvis inköpskvitto. Fyll endast i detta formulär om produkten måste sändas tillbaka för reparation.

Aimpoint AB
Jägershillgatan 15
SE- 213 75 Malmö, Sweden
Phone +46 (0)40 671 50 20
Fax +46 (0)40 21 92 38
e-mail: info@aimpoint.se
www.aimpoint.com

Aimpoint Inc.
14103 Mariah Court
Chantilly, VA 20151-2113, USA
Phone +1 703-263-9795
Fax +1 703-263-9463
e-mail: info@aimpoint.com
www.aimpoint.com

Aimpoint®

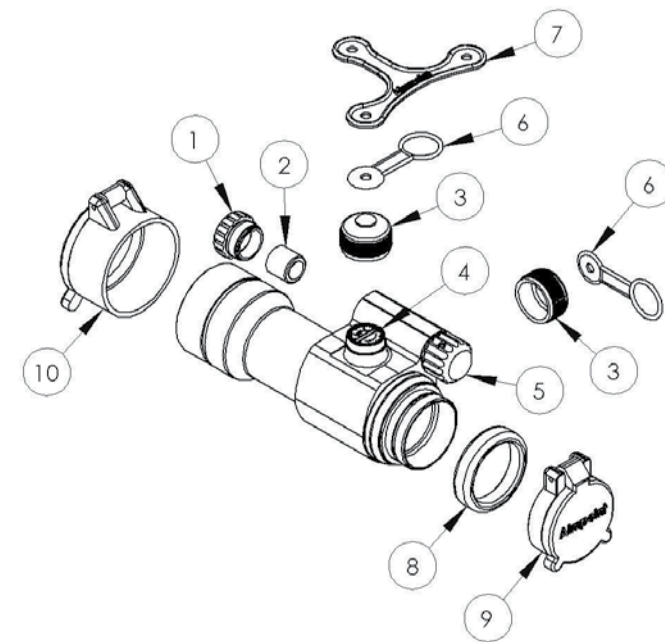
User's Manual for
Aimpoint Comp™ and 9000 series

Manuel d'utilisation pour les séries
Aimpoint Comp™ et Aimpoint 9000

Benutzerhandbuch für die Modelle
Aimpoint Comp™ und Aimpoint 9000

Manual de instrucciones para
las series Comp™ y 9000 de Aimpoint

Användarmanual för
Aimpoint Comp™ och 9000 modeller



CompC3
CompM2
CompML2

© Copyright 2012. Contents property of Aimpoint. All rights reserved. 11431-7



THE FUTURE IN SIGHT.

Fig 1

INDEX

English.....	2-8
Français.....	9-16
Deutsch.....	17-24
Español.....	25-32
Svenska.....	33-39
Warranty / Garantie / Garantie / Garantía / Garanti.....	40-44

AIMPOINT COMP SERIES AND 9000 SERIES

CHAPTER I

1.1 PRESENTATION

Reflex Sights are rugged precision electronic optical red dot sights developed for civilian, military and law enforcement applications.

Aimpoint sights are designed for the "two eyes open" method of sighting, which greatly enhances situational awareness and target acquisition speed. Thanks to the parallax-free design, the dot follows the movement of the user's eye while remaining fixed on the target, eliminating any need for centering. Further, the sight allows for unlimited eye-relief.

The CompM2 and CompM3 are compatible with 1st, 2nd and 3rd generation night vision devices, while the other sights are optimized for applications, which do not require night vision compatibility.

The new series of Aimpoint sights are using the new revolutionary Advanced Circuit Efficiency Technology, called ACET, introduced in 2005. ACET combines Aimpoint's superior accuracy and ease of use with significantly lower power usage.

1.2 SPECIFICATION

1.2.1 All models

Material – housing:	Extruded, high strength aluminum, anodized
Material – rubber cover:	Chloroprene rubber (corresponding to MIL-R-6855)
Material – lens covers:	Thermoplastic elastomer, black, non-glare
Optical magnification:	1X for all models
Eye relief:	Unlimited, no centering required
Optical coating:	Anti Reflex coating, all surfaces Multi-layer coating for reflection Band Pass coating for NVD* compatibility
(CompM2 and CompM3)	
Battery:	One 3 Volt Lithium battery type 2L76 or DL1/3N
Adjustment:	Range ± 2 m at 100 meters, in windage and elevation 1 click = 10 mm at 80 meters = 13 mm at 100 meters = $1/2$ " at 100 yards.

*NVD: Night Vision Device

1.2.2 Model 9000SC, 9000SC-Camo*, 9000L

Battery life (hours):	50,000 h on setting 7 out of 10 (ACET Diode)
Length:	9000SC: 160 mm (6.3") 9000L: 200 mm (7.9")
Width / height:	9000SC/L: 55 mm (2.2")
Weight:	9000SC: 210 g (7.4 oz) 9000L: 230 g (8.1 oz)
Surface finish:	Carbon Black, semi-matte. 9000SC Camo with camo pattern
Mounting:	2 rings, 30 mm diameter
Distance between rings:	9000SC: min 55 mm (2.2"), max 115 mm (4.5") 9000L: min 60 mm (2.4"), max 155 mm (6.1")
Dot size:	2 or 4 MOA**
Switch, dot brightness:	10 pos.: 1 Off, 9 daylight of which 1 Extra Bright
Max temperature range:	-30°C to +60°C (-20°F to +140°F)
Water resistance:	Submersible to 5 m (15 ft) water depth

**) All data of Model 9000SC-Camo are identical to Model 9000SC, except for surface finish.*

****) MOA: Minute Of Angle, 1MOA = 30 mm at 100 meters = 1" at 100 yards*

1.2.3 Model CompC3

Battery life (hours):	50,000 h on setting 7 out of 10, (ACET Diode)
Length:	CompC3: 125 mm (4.9")
Width / height:	CompC3: 55 mm (2.2")
Weight:	CompC3: 200 gram (7.1 oz)
Surface finish:	Carbon Black semi-matte
Mounting:	One wide ring, 30 mm diameter
Dot size:	2 or 4 MOA**
Switch, dot brightness:	10 pos.: 1 Off, 9 daylight of which 1 Extra Bright
Max temperature range:	-30°C to +60°C (-20°F to +140°F)
Water resistance:	Submersible to 5 m (15 ft) water depth

****) MOA: Minute Of Angle, 1MOA = 30 mm at 100 meters = 1" at 100 yards*

1.2.4 Model CompM2 and CompML2

Battery life (hours):	1,000-10,000 h* (CET Diode) Typically 100 000 h at NVD setting (CompM2)
Length (incl. lens covers):	CompM2 / ML2: 130 mm (5.1")
Width / height:	CompM2 / ML2: 55 mm (2.2")
Weight (incl. lens covers):	CompM2 / ML2: 220 gram (7.8 oz)
Surface finish:	Hard Anodized, Dark Graphite Grey, matte
Mounting:	One wide ring, 30 mm diam, or Aimpoint QR Ring
Dot size:	4 MOA**
Switch, dot brightness:	CompM2: 10 pos.: 4 NVD, 6 daylight of which 1 Extra Bright CompML2: 10 pos: 1 Off, 9 daylight of which 1 Extra Bright
Max temperature range:	-45°C to +70°C (-50°F to +160°F)
Water resistance:	Submersible to 25 m (80 ft) water depth

**) Average values, depending on brightness setting*

****)MOA: Minute Of Angle 1MOA = 30 mm at 100 meters = 1" at 100 yards*

1.2.5 Model CompM3 and CompML3

Battery life (hours):	50,000 h on setting 7 out of 10, (ACET Diode) Typically 500 000 h at NVD setting* (CompM3)
Length (incl. lens covers):	130 mm (5.1")
Width:	62 mm (2.4"), incl rubber cover, 55 mm (2.2") without
Height:	58 mm (2.3"), incl rubber cover, 55 mm (2.2") without
Weight (including lens covers):	270 gram (9.5 oz), incl rubber cover, 220 gram (7.8 oz) without
Surface finish:	Hard Anodized, Dark Graphite Grey, matte
Rubber cover:	Black or Dark Earth Brown
Mounting:	One wide ring, 30 mm diam, or Aimpoint QR Ring
Dot size:	2 or 4 MOA*
Switch, dot brightness:	CompM3: 10 positions: 4 NVD, 6 daylight of which 1 Extra Bright CompML3: 10 positions: 1 Off, 9 daylight of which 1 Extra Bright
Max temperature range:	-45°C to +70°C (-50°F to +160°F)
Water resistance:	Submersible to 45 m (135 ft) water depth

****)MOA: Minute Of Angle 1MOA = 30 mm at 100 meters = 1" at 100 yards*

1.3 Location and description of major components and functions

See fig. 1, 2 and 7

- | | |
|---|---|
| 1. Battery Lid | 7. Rubber Strap
(for CompM2/ML2/M3/ML3 models) |
| 2. Battery
(DL1/3N or similar) | 8. Eye Protection |
| 3. Cover for adjustment screw | 9. Lens Cover, rear
(for all Comp models) |
| 4. Adjustment Screw
(windage/elevation) | 10. Lens Cover, front
(for all Comp models) |
| 5. Rotary Switch | 11. Rubber cover
(for CompM3 and ML3 models) |
| 6. Rubber Strap
(for 9000 models and CompC3) | |

CHAPTER II

OPERATION UNDER NORMAL CONDITIONS

2.1 ASSEMBLY AND PREPARATION FOR USE

WARNING: Insure the weapon is unloaded and the safety selector is in the "safe" position before attempting to install, remove or perform maintenance on the sight.

2.1.1 Installing Battery

- Remove battery cap by turning it counter clockwise.
- Insert battery with positive (+) end toward cap.

Caution: while replacing battery (not necessary when the sight is unused) Before installing battery cap, inspect that the O-ring is present and not damaged. Failure to do so could result in water leakage into the battery compartment.

- Install battery cap by turning clockwise until snug. Hand tighten only. Using tools could damage equipment.
- Verify that red dot is present by turning the rotary switch clockwise.

2.1.2 Installing Ring and Sight on the weapon

Aimpoint's sights are designed for installation on most types of weapons. For mounting, certain models come with one or two rings, for other models use standard rings available on the market. If your weapon does not have or support an appropriate base(s), please consult your dealer, gunsmith or other qualified source.

- When using two separate bases on the weapon, ensure that the bases are parallel and aligned.
- Assemble the ring(s) on the appropriate weapon base (a Weaver or Picatinny base). When using 2 rings, make sure that the distance between the rings is appropriate to the sight.

Note: make sure that you have space between the bottom front part of the sight and the top of the base/weapon.

- c') For Comp models: Assemble the sight to the weapon by using Aimpoint's wide 30 mm ring or QR-mount. If other standard 30 mm rings are used, make sure that the ring(s) covers a length of minimum 25 mm or 1" (two standard rings could possibly be used).
- c") For 9000 models: Assemble the sight to the weapon with any standard 30 mm rings.
- d) Ensure that the sight is correctly positioned for right-handed (fig. 5 & 7) or left-handed shooters (fig. 6). When the rubber cover is mounted on the CompM3 and CompML3, you must position the sight as shown on figure 5 & 7.
- e) When using lens covers, ensure that they are correctly positioned and can be opened.
- f) Finally, make sure that all screws are firmly tightened around the sight.
- g) Complete the zeroing (2.2.1).

Installing the Rubber Cover on CompM3 and ML3

NOTE: The Rubber Cover shall be mounted to the CompM3 and ML3 after the sight has been installed in the ring. Remove the lens covers (front and rear) and the rubber strap. Put the front part of the sight into the lower opening of the Rubber Cover and pull the Cover backwards over the rear part of the sight. Be careful not to pull too hard and far, the rubber could be destroyed. (fig. 2). Reinstall the lens covers and the rubber strap. When removing the rubber cover from the Sight, do the opposite way. Start to pull off the rear part of the sight by gripping the lower rear part of the rubber cover, pulling the rubber backwards and up over the sight.

2.2 OPERATING PROCEDURES

2.2.1 Zeroing

Aimpoint's sights are delivered in a centered position. Normally this means that only small adjustments are necessary, providing that the base(s) are properly aligned.

CAUTION: Do not continue to adjust windage and elevation mechanisms if you encounter resistance.

The elevation adjustment screw is located on top of the sight, while the windage screw is located on the right or left side, depending on how the sight has been mounted on the weapon. Aimpoint sights can be installed to support either right-handed (fig. 5 and 7) or left-handed (fig. 6) shooters. When the rubber cover is mounted on the CompM3 or CompML3, the sight must be positioned as shown in figure 5 & 7.

- a) Open front and rear lens covers.
- b) Turn the rotary switch clockwise until the red dot has a sufficient intensity to contrast against the target.
- c) Remove the windage and elevation adjustment caps.

NOTE: Each click of the adjustment screw corresponds to a 10 mm movement of the point of impact at 80 meters, (3 mm at 25 meters, 13 mm at 100 meters and 25 mm at 200 meters or $\frac{1}{4}$ " at 50 yds, $\frac{1}{2}$ " at 100 yds and 1" at 200 yds).

- d) Insert adjustment tool (coin, screwdriver, knife) or cartridge casing in adjustment screw slot and turn as follows:
 - To move the point of impact to the right, turn windage adjustment screw counter clockwise (clockwise if screw located on left side).
 - To move the point of impact to the left, turn windage adjustment screw clockwise (counter clockwise if screw located on left side).
 - To move the point of impact up, turn elevation adjustment screw counter clockwise.
 - To move the point of impact down, turn elevation adjustment screw clockwise.
- e) Confirm zeroing by firing at least three shots at a zeroing target. Check impact points on zeroing target to confirm accuracy and repeat above procedure if required.
- f) After initial firing, ensure that the mount and sight are secure.
- g) Turn rotary switch to OFF position (counter clockwise).
- h) Close front and rear lens covers.

CHAPTER III

OPERATION UNDER EXTREME CONDITIONS

- a) Extreme heat (moist or dry). No special procedures required.
- b) Extreme cold. Extreme cold might shorten battery life.
- c) Salt air. No special procedures required.
- d) Sea spray, water, mud and snow. Ensure that battery cap and two adjustment screw caps are tight before exposing the sight to sea spray, mud, snow or before immersing the sight in water. Hand tighten only.
Keep lens covers closed when sight is not being used. Clean lenses with lens paper/cloth and wipe the sight dry as soon as possible after exposure to water, sea spray, mud or snow.
- e) Dust storms and sand storms. Keep lens caps closed when sight is not being used.
- f) High altitudes. No special procedures required.

CAUTION: The lenses shall never be cleaned with fingers but with lens paper/cloth.

If no lens paper/cloth available:

- To clear away debris (sand, grass etc): blow away the dirt.
- To clean lenses: mist up the lenses and dry them with a clean and soft piece of cloth.

CHAPTER IV

TROUBLE SHOOTING PROCEDURES

4.1 Red dot does not appear

Discharged battery:	Replace battery
Battery installed incorrectly:	Remove and reinstall battery with (+) toward cap
Battery is not making good contact:	Clean contact surfaces and reinstall battery.
Defective rotary switch:	Notify dealer/armourer

4.2 Impossible to zero

Adjustment screw is at its limit:

Impact point is moving:

Check alignment of mount to barrel

Check mount stability

CHAPTER V

MAINTENANCE

- a) This reflex sight does not require any particular maintenance while used under normal conditions.
- b) Under severe weather conditions please refer to chapter III.
- c) Keep lens covers closed whenever the sight is not in use.
- d) Warehouse storage: Remove battery and allow lens surfaces to dry completely (if wet) before closing the lens covers.
- e) To clean lenses refer to CAUTION in chapter III.

AIMPOINT COMP AND 9000

CHAPITRE I

1.1 PRÉSENTATION

Les viseurs reflex Aimpoint sont des dispositifs de visée optoélectroniques à point rouge précis et robustes destinés à un usage civil, militaire ou policier.

Les viseurs Aimpoint sont conçus pour une utilisation les deux yeux ouverts, ce qui permet un meilleur champ de vision et une plus grande vitesse d'acquisition de la cible. Grâce à sa conception sans parallaxe, le point rouge suit les mouvements de l'œil en restant fixe sur la cible, ce qui élimine le besoin de centrage. De plus, ce type de viseur autorise une distance oculaire illimitée.

Les CompM2 et M3 sont compatibles avec les dispositifs de vision nocturne de première, deuxième et troisième génération, tandis que les autres modèles sont optimisés pour les applications diurnes.

Les nouvelles séries de viseurs Aimpoint utilisent la technologie révolutionnaire ACET (Advanced Circuit Efficiency Technology) introduite en 2005. ACET associe la facilité d'utilisation et la précision supérieure d'Aimpoint à une consommation de puissance considérablement inférieure.

1.2 CARACTÉRISTIQUES

1.2.1 Tous modèles

Matériau – tube :	Aluminium haute résistance, extrudé et anodisé
Matériau – capuchon :	Caoutchouc chloroprène (conforme à MIL-R-6855)
Matériau – protèges lentilles :	Élastomère thermoplastique, noir
Grossissement :	1X pour tous modèles
Distance oculaire :	Illimitée, aucun centrage requis
Revêtement optique :	Toutes les surfaces sont traitées anti-reflets Revêtement multicouche pour réflectivité Revêtement passe-bande pour compatibilité NVD*

(CompM2 et CompM3)

Pile :	Une pile 3 Volt au Lithium de type 2L76 ou DL1/3N
Réglage :	Plage de ± 2 m à 100 mètres, en site et azimut. 1 clic = 10 mm à 80 mètres = 13 mm à 100 mètres

= $\frac{1}{2}$ " à 100 yards.

*NVD : Night Vision Device (dispositif de vision nocturne)

1.2.2 Modèles 9000SC, 9000SC-Camo* et 9000L

Durée de vie des piles (heures) :	50.000 h sur le réglage 7 sur 10 (Diode ACET)
Longueur :	9000SC : 160 mm (6,3") 9000L : 200 mm (7,9")
Largeur / hauteur :	9000SC/L : 55 mm (2,2")
Poids :	9000SC : 210 g (7,4 oz) 9000L : 230 g (8,1 oz)
Finition :	Noir carbone, semi-mat. 9000SC Camo avec motif Camo
Embase :	2 colliers, diamètre 30 mm
Distance entre colliers :	9000SC : mini 55 mm (2,2"), maxi 115 mm (4,5") 9000L : mini 60 mm (2,4"), maxi 155 mm (6,1")
Taille du point :	2 ou 4 MOA**
Réglage de luminosité du point :	10 positions: 1 Arrêt, 9 positions de jour dont 1 extra brillante
Plage de température maxi :	-30°C à +60°C (-20°F à +140°F)
Résistance à l'eau :	Étanche jusqu'à 5 m (15 ft) de profondeur

**) Toutes les caractéristiques des modèles 9000SC-Camo sont identiques à celles des modèles 9000SC, sauf la finition.*

***) MOA : Minute Of Angle (minute d'angle), 1 MOA = 30 mm à 100 mètres = 1" à 100 yards*

1.2.3 Modèle CompC3

Durée de vie des piles (heures) :	50.000 h sur le réglage 7 sur 10 (Diode ACET)
Longueur :	CompC3 : 125 mm (4,9")
Largeur / hauteur :	CompC3 : 55 mm (2,2")
Poids :	CompC3 : 200 grammes (7,1 oz)
Finition :	Noir carbone semi-mat
Embase :	Un collier large, diamètre 30 mm
Taille du point :	2 ou 4 MOA**
Réglage de luminosité du point :	10 positions: 1 Arrêt, 9 positions de jour dont 1 extra brillante
Plage de température maxi :	-30°C à +60°C (-20°F à +140°F)
Résistance à l'eau :	Étanche jusqu'à 5 m (15 ft) de profondeur,

***) MOA : Minute Of Angle (minute d'angle), 1 MOA = 30 mm à 100 mètres = 1" à 100 yards*

1.2.4 Modèles CompM2 et CompML2

Durée de vie des piles* (heures) :	1.000-10.000 h* (Diode CET) Typiquement 100.000 h* sur le réglage NVD (CompM2)
Longueur (avec protèges lentilles) :	CompM2 / ML2 : 130 mm (5,1")
Largeur / hauteur :	CompM2 / ML2 : 55 mm (2,2")
Poids (avec protèges lentilles) :	CompM2 / ML2 : 220 grammes (7,8 oz)
Finition :	Anodisation dure, gris graphite sombre, mat
Embase :	Un collier large, diam. 30 mm, ou Collier QR
Aimpoint	
Taille du point :	4 MOA**
Réglage de luminosité du point :	CompM2 : 10 positions : 4 NVD, 6 positions de jour dont 1 extra brillante CompML2 : 10 positions : 1 Arrêt, 9 positions de jour dont 1 extra brillante
Plage de température maxi :	-45°C à +70°C (-50°F à +160°F)
Résistance à l'eau :	Étanche jusqu'à 25 m (80 ft) de profondeur

**) Valeurs moyennes, dépend du réglage de l'intensité*

****) MOA : Minute Of Angle (minute d'angle), 1 MOA = 30 mm à 100 mètres = 1" à 100 yards*

1.2.5 Modèles CompM3 et CompML3

Durée de vie des piles (heures) :	50.000 h sur le réglage 7 sur 10 (Diode ACET) Typiquement 500 000 h* sur le réglage NVD (CompM3)
Longueur (avec protèges lentilles) :	130 mm (5,1")
Largeur :	62 mm (2,4"), avec capuchon en caoutchouc, 55 mm (2,2") sans
Hauteur :	58 mm (2,3"), avec capuchon en caoutchouc, 55 mm (2,2") sans
Poids (avec protèges lentilles) :	270 grammes (9,5 oz), avec capuchon en caoutchouc, 220 grammes (7,8 oz) sans
Finition :	anodisation dure, gris graphite sombre, mat
Capuchon en caoutchouc :	Noir ou marron terre sombre
Embase :	Un collier large, diam. 30 mm, ou Collier QR Aimpoint
Taille du point :	2 ou 4 MOA**
Réglage de luminosité du point :	CompM3 : 10 positions : 4 NVD, 6 positions de jour dont 1 extra brillante CompML3 : 10 positions : 1 Arrêt, 9 positions de jour dont 1 extra brillante
Plage de température maxi :	-45°C à +70°C (-50°F à +160°F)
Résistance à l'eau :	Étanche jusqu'à 45 m (135 ft) de profondeur

****) MOA : Minute Of Angle (minute d'angle), 1 MOA = 30 mm à 100 mètres = 1" à 100 yards*

1.3 EMLACEMENT ET DESCRIPTION DES PRINCIPAUX COMPOSANTS ET DE LEURS FONCTIONS

Voir fig. 1, 2 et 7

- | | |
|---|--|
| 1. Couvercle de logement de pile | 7. Sangle caoutchouc
(pour tous les modèles CompM) |
| 2. Pile modèles
(DL1/3N ou équivalent) | 8. Protecteur oculaire |
| 3. Cache pour vis de réglage | 9. Protège lentille, arrière
(pour tous les modèles Comp) |
| 4. Vis de réglage
(site/azimut) | 10. Protège lentille, avant (pour tous les modèles Comp) |
| 5. Commutateur rotatif | 11. Capuchon en caoutchouc
(pour les modèles CompM3 et ML3) |
| 6. Sangle caoutchouc
(pour les modèles 9000 et CompC3) | |

CHAPITRE II

UTILISATION EN CONDITIONS NORMALES

2.1 ASSEMBLAGE ET PRÉPARATIFS

ATTENTION : S'assurer que l'arme est déchargée et que le sélecteur se trouve en position « sûreté » avant de procéder au montage, au retrait ou à l'entretien du viseur.

2.1.1. Mise en place de la pile

- Dévisser le couvercle de logement de la pile dans le sens contraire des aiguilles d'une montre.
- Introduire la pile en orientant le pôle positif (+) vers le couvercle.

Précautions à prendre en remplaçant la pile (seulement si le viseur est déjà en fonction)
Avant de revisser le couvercle, contrôler la présence et l'état du joint torique. Faute de quoi, l'étanchéité du logement n'est pas optimale.

- Revisser le couvercle dans le sens des aiguilles d'une montre jusqu'en butée. Serrer à la main seulement. L'utilisation d'un outil risque d'endommager le matériel.
- Vérifier que le point rouge s'allume en tournant le commutateur rotatif dans le sens des aiguilles d'une montre.

2.1.2 Mise en place du collier et du viseur sur l'arme

Les viseurs Aimpoint sont conçus pour être montés sur la plupart des armes. Certains modèles sont livrés avec un ou deux colliers de montage. Pour les autres modèles, utiliser les colliers standards du commerce. Si l'arme n'a pas d'embase appropriée, adressez-vous à votre revendeur ou à un expert.

- a) Lorsque deux embases séparées sont utilisées sur l'arme, s'assurer que celles-ci sont parallèles et alignées.
- b) Monter le ou les colliers sur l'embase adéquate (Weaver ou Picatinny). Lorsque 2 colliers sont utilisés, veiller à ce que la distance entre les colliers soit adaptée au viseur.

Nota : vérifier qu'il y a un espace suffisant entre la partie avant du viseur et le support ou l'arme.

- c') Sur les modèles Comp : monter le viseur sur l'arme en vous servant du collier 30 mm d'Aimpoint ou du collier à montage rapide d'Aimpoint (QR quick release). Si d'autres colliers de 30 mm sont utilisés, s'assurer que le ou les colliers recouvrent une longueur d'au minimum 25 mm sur le viseur (2 colliers standard peuvent être utilisés).
- c") Modèles 9000 : monter le viseur sur l'arme à l'aide de 2 colliers standard de 30 mm.
- d) S'assurer que le viseur est correctement positionné pour les tireurs droitiers (fig. 5 & 7) ou gauchers (fig. 6). Quand le capuchon en caoutchouc est monté sur les CompM3 et CompML3, le viseur doit être positionné comme représenté sur les figures 5 & 7.
- e) Lors des protèges lentilles sont utilisés, veiller à ce qu'ils soient correctement positionnés et puissent être ouverts.
- f) Finalement, vérifier que toutes les vis sont fermement serrées autour du viseur.
- g) Effectuer l'opération de zéroage (2.2.1).

2.1.3 Installation du capuchon en caoutchouc sur les CompM3 et ML3

NOTA : le capuchon en caoutchouc doit être monté sur les CompM3 et ML3 après avoir installé le viseur dans le collier.

Retirer les protèges lentilles (avant et arrière) et la sangle en caoutchouc.

Mettre la partie avant du viseur dans l'ouverture inférieure du capuchon en caoutchouc et tirer le capuchon en arrière au-dessus de la partie arrière du viseur. Faire attention de ne pas tirer trop fort ni trop loin pour ne pas abîmer le caoutchouc. (fig. 2).

Réinstaller les protèges lentilles et la sangle en caoutchouc.

Pour retirer le capuchon en caoutchouc du viseur, procéder dans l'ordre inverse.

Commencer par tirer la partie arrière du viseur en attrapant la partie inférieure du capuchon en caoutchouc et tirant le caoutchouc vers l'arrière et le haut au-dessus du viseur.

2.2 MODES OPÉRATOIRES

2.2.1 Zérotage

Les viseurs Aimpoint sont livrés en position centrée, ce qui signifie qu'ils ne nécessitent normalement que peu de réglages, à condition que la ou les embases soient correctement alignées.

ATTENTION : interrompre le réglage des mécanismes de site et d'azimut au moindre signe de résistance d'un des éléments.

La vis de réglage en site est située au sommet du viseur tandis que la vis de réglage en azimut se trouve sur le côté droit ou gauche en fonction du montage du viseur sur l'arme. Les viseurs Aimpoint peuvent être montés pour des tireurs droitiers (fig. 5 et 7) ou gauchers (fig. 6). Quand le capuchon en caoutchouc est monté sur les CompM3 et CompML3, le viseur doit être positionné comme représenté sur les figures 5 & 7.

- Ouvrir les protèges lentilles avant et arrière.
- Tourner le commutateur rotatif dans le sens des aiguilles d'une montre jusqu'à ce que le point rouge contraste suffisamment avec la cible.
- Enlever les caches respectifs des réglages de site et d'azimut.

NOTA : chaque clic de la vis de réglage correspond à un déplacement de 10 mm du point d'impact à 80 mètres (3 mm à 25 mètres, 13 mm à 100 mètres et 25 mm à 200 mètres ou $\frac{1}{4}$ " à 50 yds, $\frac{1}{2}$ " à 100 yds et 1" à 200 yds).

- Introduire un outil de réglage (pièce de monnaie, tournevis, couteau) ou une douille dans la fente de la vis de réglage et tourner comme suit :
 - Pour déplacer le point d'impact vers la droite, tourner la vis de réglage en azimut dans le sens contraire des aiguilles d'une montre (ou dans le sens des aiguilles d'une montre si la vis est située sur le côté gauche).
 - Pour déplacer le point d'impact vers la gauche, tourner la vis de réglage en azimut dans le sens des aiguilles d'une montre (ou dans le sens contraire des aiguilles d'une montre si la vis est située sur le côté gauche).
 - Pour déplacer le point d'impact vers le haut, tourner la vis de réglage en site dans le sens contraire des aiguilles d'une montre.
 - Pour déplacer le point d'impact vers le bas, tourner la vis de réglage en site dans le sens des aiguilles d'une montre.
- Valider le zérotage en effectuant au moins trois tirs sur une cible appropriée. Contrôler les points d'impact et reprendre la procédure ci-dessus si nécessaire.
- Après le premier tir, vérifier que le montage et le viseur sont bien fixés.
- Amener le commutateur rotatif en position OFF (dans le sens contraire des aiguilles d'une montre).
- Fermer les protèges lentilles avant et arrière.

CHAPITRE III

UTILISATION EN CONDITIONS EXTRÊMES

- a) Chaleur extrême (humide ou sèche) : aucune mesure particulière n'est à observer.
- b) Froid extrême : un froid extrême raccourcit la durée de vie des batteries.
- c) Air salin : aucune mesure particulière n'est à observer.
- d) Embruns, eau, boue et neige : s'assurer que le capuchon de logement de la pile et les caches des vis de réglage sont bien fermés avant d'exposer le viseur aux embruns, à la boue ou à la neige ou avant de le plonger dans l'eau. Serrer à la main seulement.

Veiller à ce que les protèges lentilles restent fermés quand le viseur n'est pas utilisé. Nettoyer les lentilles avec un tissu/papier prévu à cet effet et sécher le viseur au plus vite après que celui-ci a été exposé à l'eau, aux embruns, à la boue ou à la neige.

- e) Tempêtes de poussière et de sable : veiller à ce que les protèges lentilles restent fermés quand le viseur n'est pas utilisé.
- f) Hautes altitudes : aucune mesure particulière n'est à observer.

ATTENTION : ne jamais nettoyer les lentilles avec les doigts mais avec un chiffon/papier prévu à cet effet.

À défaut de chiffon/papier spécial pour les lentilles :

- Pour retirer les débris (sable, herbe, etc.) : souffler dessus.
- Pour nettoyer les lentilles : embuer et sécher avec un chiffon doux et propre.

CHAPITRE IV

MÉTHODES DE RECHERCHE DE PANNE

4.1 LE POINT ROUGE N'APPARAÎT PAS

- | | |
|----------------------------------|--|
| Pile déchargée : | Remplacer la pile |
| Pile installée incorrectement : | Enlever et remettre la pile avec le (+)
vers le couvercle |
| Mauvais contact de la pile : | Nettoyer les surfaces de contact et
remettre la pile. |
| Commutateur rotatif défectueux : | Contacter le revendeur / l'armurier |

4.2 IMPOSSIBLE DE ZÉROTHER

- | | |
|-----------------------------------|---|
| La vise de réglage est en butée : | Vérifier l'alignement du montage avec le
canon de l'arme |
| Le point d'impact se déplace : | Vérifier la stabilité du montage |

CHAPITRE V

MAINTENANCE

- a) Ce viseur reflex ne requiert aucun entretien particulier en conditions normales d'utilisation.
- b) En cas d'utilisation en conditions sévères, se référer au chapitre III.
- c) Laisser les protèges lentilles fermés lorsque le viseur n'est pas utilisé.
- d) Entreposage : retirer la pile et laisser sécher les surfaces des lentilles (si elles sont mouillées) avant de refermer les protèges lentilles.
- e) Pour le nettoyage des lentilles, se reporter à la mise en garde du chapitre III.

AIMPOINT COMP UND AIMPOINT 9000

KAPITEL I

1.1 EINFÜHRUNG

Reflexvisiere von Aimpoint sind robuste, präzise, elektrooptische Rotpunktvisiere und für zivile, militärische und polizeiliche Anwendungsbereiche geeignet.

Visiere von Aimpoint sind für das «zwei-Augen-offen»-Verfahren ausgelegt, durch welches das momentane Situationsbewusstsein verbessert, das Gesichtsfeld bedeutend vergrößert und die Zielerfassung beschleunigt wird. Dank des parallaxenfreien Designs folgt der Leuchtpunkt beim fortgesetzten Anvisieren eines Zieles den Bewegungen des Benutzerauges. Ein Zentrieren ist somit nicht mehr erforderlich. Darüber hinaus ist bei diesem Visier der Augenabstand unerheblich.

Die Modelle CompM2 und CompM3 können mit Nachtsichtgeräten (NVD) der ersten, zweiten und dritten Generation kombiniert werden. Die übrigen Visiere sind für Anwendungen optimiert, die keine NVD-Kompatibilität erfordern.

Die neue Serie der Aimpoint Visiere ist mit der neuartigen und revolutionären Advanced Circuit Efficiency Technology (ACET) ausgestattet, welche 2005 eingeführt wurde. ACET vereint die überlegene Präzision von Aimpoint und die Einfachheit in der Bedienung mit drastisch niedrigerem Energieverbrauch.

1.2 TECHNISCHE EINZELHEITEN

1.2.1 Alle Modelle

Material – Gehäuse:	stranggepresstes, hochfestes Aluminium, eloxiert.
Material –	
Gummi-Schutzkappe:	Chloroprenkautschuk (entsprechend MIL-R-6855)
Material –	
Staubschutzkappen:	elastomerer Thermokunststoff, schwarz, blendfrei.
Optische Vergrößerung:	1X für alle Modelle
Augenabstand:	unerheblich, Zentrieren nicht erforderlich
Optische Beschichtung:	Antireflexbeschichtung, alle Oberflächen Mehrfachbeschichtung gegen Reflexion Bandpassbeschichtung für Nachtsichtgerät-
Kompatibilität (CompM2 und CompM3)	
Batterie:	1 Stück 3V-Lithiumbatterie Typ 2L76 oder DL1/3N.
Einstellung: verstellung	Bereich ± 2 m auf 100 m, bei Seiten- und Höhen-
	1 Klick = 10 mm auf 80 m = 13 mm auf 100 m = $\frac{1}{2}$ " auf 100 Yard.

1.2.2 Modelle 9000SC, 9000SC Camo* und 9000L

Batterielebensdauer (in Stunden):	50.000 Stunden (bei Einstellung 7 von 10), (ACET Diode)
Länge:	9000SC: 160 mm (6,3") 9000L: 200 mm (7,9")
Breite/Höhe:	9000SC/L: 55 mm (2,2")
Gewicht:	9000SC: 210 g (7,4 oz) 9000L: 230 g (8,1 oz)
Oberflächenfinish:	kohlschwarz, halbmatt 9000SC Camo mit Camo-Muster
Montage:	2 Ringe, 30 mm Durchmesser
Abstand zwischen Ringen:	9000SC: min. 55 mm (2,2"), max. 115 mm (4,5") 9000L: min. 60 mm (2,4"), max. 155 mm (6,1")
Punktgröße: Schalter	2 oder 4 MOA**
Punkt-Beleuchtungsstärke: Einstellungen (davon eine extra hell)	10 Einstellungen: AUS und 9 Tageslicht-
Max. Temperaturbereich:	-30° C bis +60° C
Wasserfestigkeit:	eintauchfähig bis 5 Meter

**) Die Angaben für das Modell 9000SC Camo sind identisch mit den Angaben für das Modell 9000SC (mit Ausnahme des Oberflächenfinish).*

****) MOA = Winkelminute: 1MOA = 30 mm auf 100 m = 1" auf 100 Yard*

1.2.3 Modelle CompC3

Batterielebensdauer (in Stunden):	50.000 Stunden (bei Einstellung 7 von 10), (ACET Diode)
Länge:	CompC3: 125 mm (4,9")
Breite/Höhe:	CompC3: 55 mm (2,2")
Gewicht:	CompC3: 200 g (7,1 oz)
Oberflächenfinish:	kohlschwarz, halbmatt
Montage:	ein breiter Ring, 30 mm Durchmesser
Punktgröße: Schalter	2 oder 4 MOA**
Punkt-Beleuchtungsstärke: Einstellungen (davon eine extra hell)	10 Einstellungen: AUS und 9 Tageslicht-
Max. Temperaturbereich:	-30° C bis +60° C
Wasserfestigkeit:	eintauchfähig bis 5 Meter

****) MOA = Winkelminute: 1MOA = 30 mm auf 100 m = 1" auf 100 Yard*

1.2.4 Modelle CompM2 und CompML2

Batterielebensdauer* (in Stunden):	1.000-10.000 Stunden (CET Diode) Üblicherweise 100.000 Stunden bei Nachtsichtgerät-Einstellung (CompM2)
Länge (inkl. Staubschutzkappen):	CompM2/ML2: 130 mm
Breite/Höhe:	CompM2/ML2: 55 mm
Gewicht (inkl. Staubschutzkappen):	CompM2/ML2: 220 g
Oberflächenfinish:	harteloxiert, dunkles Graphitgrau, matt
Befestigung:	1 breiter Ring, 30 mm Durchmesser, oder Aimpoint QR-Ring (Quick Release)
Punktgröße:	4 MOA**
Schalter Punkt-Beleuchtungsstärke:	CompM2: 10 Einstellungen: 4 Nachtsicht, 6 Tageslicht (davon 1 extra hell) CompML2: 10 Einstellungen: 1 AUS, 9 Tageslicht (davon eine extra hell)
Max. Temperaturbereich:	-45° C bis +70° C
Wasserfestigkeit:	eintauchfähig bis 25 Meter

**) Durchschnittswerte, abhängig von Einstellung der Beleuchtungsstärke*

****) MOA = Winkelminute: 1MOA = 30 mm auf 100 m = 1" auf 100 Yard*

1.2.5 Modelle CompM3 und CompML3

Batterielebensdauer (in Stunden):	50.000 Stunden (bei Einstellung 7 von 10), (ACET Diode) Üblicherweise 500.000 Stunden* bei Nachtsichtgeräte-Einstellung (CompM3)
Länge (inkl. Staubschutzkappen):	130 mm
Breite:	62 mm, inkl. Gummi-Schutzkappe 55 mm ohne
Höhe:	58 mm, inkl. Gummi-Schutzkappe 55 mm ohne
Gewicht (inkl. Staubschutzkappen):	270 g, inkl. Gummi-Schutzkappe 220 g ohne
Oberflächenfinish:	harteloxiert, dunkles Graphitgrau, matt Gummi-Schutzkappe: schwarz oder dunkles Erdbraun

Montage:	ein breiter Ring, 30 mm Durchmesser, oder Aimpoint QR-Ring (Quick Release)
Punktgröße:	2 oder 4 MOA**
Schalter	
Punkt-Beleuchtungsstärke:	CompM3: 10 Einstellungen: 4 Nachtsicht, 6 Tageslicht (davon eine extra hell) CompML3: 10 Einstellungen: AUS, 9 Tageslicht (davon eine extra hell)
Max. Temperaturbereich:	-45° C bis +70° C
Wasserfestigkeit:	eintauchfähig bis 45 Meter

***) MOA = Winkelminute: 1MOA = 30 mm auf 100 m = 1" auf 100 Yard

1.3 Anbringung und Beschreibung der Hauptkomponenten und Funktionen

Siehe Abb. 1, 2 und 7

- | | |
|--|---|
| 1. Batteriedeckel | 7. Gummizug |
| 2. Batterie
(DL1/3N oder entsprechende) | (für Modelle CompM2/ML2/M3/ML3) |
| 3. Stellschraubenschutzkappe | 8. Augenschutz |
| 4. Stellschraube
(Höhe/Seite) | 9. Staubschutzkappe, Okular
(für alle Modelle Comp) |
| 5. Drehschalter | 10. Staubschutzkappe, Objektiv
(für alle Modelle Comp) |
| 6. Gummizug
(für Modelle 9000 und CompC3) | 11. Gummi-Schutzkappe
(für Modelle CompM3 und ML3) |

KAPITEL II

BEDIENUNG UNTER NORMALEN BEDINGUNGEN

2.1 ZUSAMMENBAU UND VORBEREITUNG ZUM GEBRAUCH

WARNUNG: Vergewissern Sie sich stets, dass die Waffe vor Installation, Abbau oder Wartung des Visiers entladen und gesichert ist.

2.1.1 Batterieeinbau

- Batteriedeckel durch Drehen gegen den Uhrzeigersinn abschrauben.
- Die Batterie mit der Plusseite (+) zum Deckel einsetzen.

Vorsicht bei Batteriewechsel (nicht notwendig, wenn das Visier unbenutzt ist):
Vor dem Einsetzen des Batteriedeckels überprüfen, dass der O-Ring im Batteriedeckel vorhanden und nicht beschädigt ist. Unvorsichtige Handhabung kann dazu führen, dass Wasser in das Batteriefach gerät.

- c. Den Batteriedeckel durch Drehen im Uhrzeigersinn bis zum Anschlag einschrauben. Nur mit der Hand anziehen. Die Benutzung von Werkzeug kann die Ausrüstung beschädigen.
- d. Sicherstellen, dass beim Drehen des Drehschalters im Uhrzeigersinn der rote Leuchtpunkt erscheint.

2.1.2 Befestigung von Ring und Visier an der Waffe

Die Visiere von Aimpoint sind zur Befestigung an fast alle Waffenarten ausgelegt. Bestimmte Visiere werden mit einem oder zwei Befestigungsringen geliefert, für andere Visiere sind auf dem Markt Standardringe erhältlich. Ist an Ihrer Waffe keine passende Schiene bzw. Montagevorrichtung vorhanden, setzen Sie sich bitte mit Ihrem Waffenfachhändler oder anderem Fachpersonal in Verbindung.

- a. Bei Verwendung von zwei separaten Schienen darauf achten, dass diese parallel ausgerichtet sind.
- b. Den Ring/die Ringe um das Visier legen und auf der zugehörigen Schiene befestigen (Weaver oder Picatinny). Bei Benutzung von zwei Ringen darauf achten, dass der Abstand zwischen den Ringen zum Visier passt.
Hinweis: Darauf achten, dass zwischen der Unterseite des Visiervorderteils und der Schiene/Waffe noch Platz verbleibt.
- c') Anleitung für Comp-Modelle: Befestigen Sie das Visier auf der Waffe mit dem 30mm-Standardring oder der QR-Montage. Wenn andere 30mm-Ringe verwendet werden, ist sicherzustellen, dass diese eine Montagebreite von 25 mm aufweisen. Meist können dafür zwei Standardringe hintereinander verwendet werden.
- c'') Anleitung für Modelle der Serie 9000:
Das Visier an der Waffe mit zwei beliebigen Standardringen (30 mm) befestigen.
- d. Die korrekte Positionierung des Visiers zum Schießen mit der rechten (Abb. 5 u. 7) oder linken Hand überprüfen (Abb. 6). Wenn die Gummi-Schutzkappe am CompM3 und CompML3 befestigt ist, muss das Visier wie in den Abbildungen 5 u. 7 dargestellt positioniert werden.
- e. Zum Schluss überprüfen, dass alle Schrauben um das Visier herum fest angezogen sind.
- f. Beim Verwenden von Staubschutzkappen überprüfen, dass diese korrekt angebracht sind und geöffnet werden können.
- g. Zentrieren (2.2.1)

2.1.3 Installation der Gummi-Schutzkappe auf dem CompM3 und ML3

HINWEIS: Das Visier sollte in den Ring eingeführt werden, bevor die Gummi-Schutzkappe auf dem CompM3 und ML3 montiert wird.

Die Staubschutzkappe (Okular und Objektiv) sowie den Gummizug entfernen. Den Visiervorderteil in die untere Öffnung der Gummi-Schutzkappe führen und die Schutzkappe über den hinteren Teil des Visiers ziehen. Nicht zu fest und zu weit ziehen, da ansonsten der Gummi beschädigt werden könnte. (Abb. 2). Staubschutzkappen und Gummizug wieder anbringen.

Beim Entfernen der Gummi-Schutzkappe vom Visier umgekehrt vorgehen. Damit beginnen, über den hinteren Teil des Visiers herunterzuziehen, indem Sie den unteren, hinteren Teil der Gummi-Schutzkappe fassen und den Gummi nach hinten, oben über das Visier ziehen.

2.2 BEDIENUNG

2.2.1 Nullstellen

Die Visiere von Aimpoint werden zentriert geliefert. Das bedeutet im Allgemeinen, dass nur geringfügige Einstellungen erforderlich sind, vorausgesetzt, die Schiene ist/die Schienen sind ausgerichtet.

ACHTUNG: Nicht mit der Seiten- und Höheneinstellung fortfahren, wenn Widerstand zu spüren ist.

Die Höhenstellschraube ist oben auf dem Visier angebracht. Die Stellschraube für die Seitenverschiebung befindet sich auf der rechten oder linken Seite des Visiers, je nachdem, wie das Visier an der Waffe befestigt ist. Aimpoint Visiere sind sowohl für Rechtshänder (Abb. 5 und 7) als auch für Linkshänder (Abb. 6) geeignet. Wenn die Gummi-Schutzkappe am CompM3 und CompML3 befestigt ist, muss das Visier wie in den Abbildungen 5 u. 7 dargestellt positioniert werden.

- Die Staubschutzkappen (Okular und Objektiv) öffnen.
- Den Drehschalter im Uhrzeigersinn drehen, bis der rote Leuchtpunkt eine zur Zielerkennung zufriedenstellende Helligkeit aufweist.
- Die Schutzkappen der Seiten- und Höhenstellschrauben entfernen.

ANMERKUNG: Jeder Klick der Stellschraube entspricht einer 10mm-Verschiebung des Auftreffpunkts auf 80 Meter (3 mm auf 25 Meter, 13 mm auf 100 Meter und 25 mm auf 200 Meter oder 1/4" auf 50 Yard, 1/2" auf 100 Yard und 1" auf 200 Yard).

- d. Einstellwerkzeug (Münze, Schraubendreher oder Messer) oder eine Patronenhülse in den Schlitz der Stellschraube stecken und wie folgt drehen:
 Zum Verschieben des Auftreffpunkts nach rechts die Seitenstellschraube gegen den Uhrzeigersinn drehen (im Uhrzeigersinn, wenn sich die Schraube auf der linken Seite befindet).
 Zum Verschieben des Auftreffpunkts nach links die Seitenstellschraube im Uhrzeigersinn drehen (gegen den Uhrzeigersinn, wenn sich die Schraube auf der linken Seite befindet).
 Zum Verschieben des Auftreffpunkts nach oben die Höhenstellschraube gegen den Uhrzeigersinn drehen.
 Zum Verschieben des Auftreffpunkts nach unten die Höhenstellschraube im Uhrzeigersinn drehen.
- e. Den vorgenommenen Zentriervorgang durch mindestens drei Schüsse auf ein Nullstellziel überprüfen. Zur Bestätigung der Präzision die Auftreffpunkte am Nullstellziel nachprüfen. Das Verfahren wenn nötig wiederholen.
- f. Nach dem ersten Schuss überprüfen, dass Befestigung und Visier sicher angebracht sind.
- g. Drehschalter auf "AUS" drehen (gegen den Uhrzeigersinn).
- h. Die Staubschutzkappen (Okular und Objektiv) schließen.

KAPITEL III

BENUTZUNG UNTER EXTREMEN BEDINGUNGEN

- a. Extreme Hitze (feucht oder trocken): Keine besonderen Vorkehrungen erforderlich.
- b. Extreme Kälte: Extreme Kälte kann die Batterielebensdauer verkürzen.
- c. Salzhaltige Luft: Keine besonderen Vorkehrungen erforderlich.
- d. Gischt, Wasser, Schlamm und Schnee: Überprüfen Sie den korrekten Sitz des Batteriedeckels und der beiden Stellschraubenschutzkappen, bevor Sie das Visier in Wasser tauchen oder Gischt, Schlamm und Schnee aussetzen. Nur mit der Hand anziehen.
 Bei Nichtbenutzen des Visiers die Staubschutzkappen geschlossen halten. Die Linsen mit Speziallinsenpapier oder -tuch säubern und das Visier so schnell wie möglich trockenreiben, wenn es Wasser, Gischt, Schlamm oder Schnee ausgesetzt war.
- e. Staubwirbel und Sandstürme: Die Staubschutzkappen bei Nichtbenutzung des Visiers geschlossen halten.
- f. Grosse Höhen: Keine besonderen Vorkehrungen erforderlich.

WICHTIG: Die Linsen keinesfalls mit den Fingern säubern, sondern mit Speziallinsenpapier oder -tuch abwischen. Ist kein Speziallinsenpapier/-tuch greifbar, wie folgt verfahren:

- Entfernen von losem Schmutz (Sand, Gras usw.): Den Schmutz fortblasen.
- Säubern: Die Linsen anhauchen und mit einem weichen und reinen Kleidungsstück abwischen.

KAPITEL IV

FEHLERSUCHE:

4.1 ROTER LEUCHTPUNKT ERSCHEINT NICHT

Batterie leer:	Batterie wechseln
Batterie falsch eingesetzt:	Batterie aus- und wieder einsetzen
Schlechter Batteriekontakt:	Kontaktflächen säubern und Batterie wieder einbauen.
Beschädigter Drehschalter:	Händler/Verkäufer kontaktieren.

4.2 ZENTRIEREN NICHT MÖGLICH

Einstellschraube am Anschlag:	Ausrichtung der Haltevorrichtung überprüfen.
Treffpunkt ändert sich:	Befestigung überprüfen.

KAPITEL V

WARTUNG

- Bei normalen Benutzungsbedingungen erfordert dieses Reflexvisier keine besondere Wartung.
- Bei extremen Witterungsverhältnissen siehe Kapitel III.
- Bei Nichtbenutzung des Visiers die Staubschutzkappen stets verschlossen halten.
- Lagerung: Batterie entfernen. Vor dem Schließen der Staubschutzkappen die Linsenoberflächen vollständig trocknen lassen (wenn nass).
- Zum Säubern der Linsen die Anweisungen unter **WICHTIG** in Kapitel III beachten.

CAPÍTULO I

1.1. PRESENTACIÓN

Las miras Aimpoint son miras de punto rojo electrónicas, robustas y de precisión, desarrolladas para aplicaciones civiles, militares y policiales.

Las miras Aimpoint están diseñadas para ver “con los dos ojos abiertos” lo cual mejora considerablemente la percepción de la situación y la velocidad de búsqueda del blanco. Gracias al diseño sin paralelaje, el punto sigue el movimiento del ojo del usuario al tiempo que permanece fijo en el blanco, eliminando así la necesidad de centrado. Asimismo, la mira permite una distancia focal ilimitada.

Los modelos CompM2 y el CompM3 son compatibles con la 1º, 2º y 3º generación de dispositivos de visión nocturna, mientras que las otras miras están optimizadas para aplicaciones que no requieran compatibilidad con la visión nocturna.

La nueva serie de miras de Aimpoint incorpora la nueva y revolucionaria Tecnología ACET (siglas en inglés de Tecnología de Eficiencia de Circuito Avanzada), que se introdujo en 2005. La ACET combina la precisión suprema y la facilidad de manejo de Aimpoint con un consumo de energía significativamente bajo.

1.2 ESPECIFICACIONES

1.2.1 Todos los modelos

Material – carcasa:	aluminio extruido de alta resistencia, anodizado
Material – revestimiento de caucho:	caucho cloprene (corresponde a MIL-R- 6855)
Material – tapas de los objetivos:	elastómero termoplástico, negro, antideslumbrante
Aumento óptico:	1X para todos los modelos
Distancia focal:	ilimitada, no se requiere centrado
Revestimiento óptico:	revestimiento anti-reflex, todas las superficies Revestimiento multicapa para reflexión Revestimiento Band Pass para compatibilidad
NVD (CompM2)	
Batería:	una batería de litio de 3 V tipo 2L76 o DL1/3N
Ajuste:	campo ± 2 m a 100 metros, en dispersión y
elevación	1 presión = 10 mm a 80 metros = 13 mm a 100 metros = $\frac{1}{2}$ " a 100 yardas.

1.2.2 Modelo 9000SC, 9000SC-Camo* y 9000L

Duración de la batería (horas):	50.000 h en posición 7 de 10 (Diodo ACET)
Longitud:	9000SC: 160 mm (6,3") 9000L: 200 mm (7,9")
Ancho /Altura:	9000SC/L: 55 mm (2,2")
Peso:	9000SC: 210 g (7,4 oz) 9000L: 230 g (8,1 oz)
Acabado de superficie:	negro de carbono semimate. 9000SC Camo con modelo camo
Montaje:	2 anillas, 30 mm de diámetro
Distancia entre anillas:	9000SC: mín 55 mm (2,2"), máx 115 mm (4,5") 9000L: mín 60 mm (2,4"), máx 155 mm (6,1")
Tamaño del punto:	2 o 4 MDA**
Interruptor, brillo del punto:	10 pos.: 1 Apagado, 9 luz diurna incluye 1 extra brillante
Rango de temperaturas máximas:	de -30°C a +60°C (de -20°F a +140°F)
Resistencia al agua:	Sumergible hasta 5 m (15 ft) de profundidad

**) Toda la información sobre el Modelo 9000SC-Camo es idéntica a la del Modelo 9000SC, excepto el acabado de superficie.*

****) MDA: minuto de ángulo 1MDA = 30 mm a 100 metros = 1" a 100 yardas*

1.2.3 Modelo CompC3

Duración de la batería (horas):	50.000 h en posición 7 de 10 (Diodo ACET)
Longitud:	CompC3: 125 mm (4,9")
Ancho /Altura:	CompC3: 55 mm (2,2")
Peso:	CompC3: 200 g (7,1 oz)
Acabado de superficie:	negro de carbono semimate
Montaje:	una anilla ancha, 30 mm de diámetro
Tamaño del punto:	2 o 4 MDA**
Interruptor, brillo del punto:	10 pos.: 1 Apagado, 9 luz diurna incluye 1 extra brillante
Rango de temperaturas máximas:	de -30°C a +60°C (de -20°F a +140°F)
Resistencia al agua:	sumergible hasta 5 m (15 ft) de profundidad

****) MDA: Minuto de ángulo 1MDA = 30 mm a 100 metros = 1" a 100 yardas*

1.2.4 Modelo CompM2 y CompML2

Duración de la batería* (horas):	de 1.000 a 10.000 h (Diodo CET) Habitualmente 100.000 h en NVD (CompM2)
Longitud (incluye las tapas del objetivo):	CompM2 / ML2: 130 mm (5,1")
Ancho /Altura:	CompM2 / ML2: 55 mm (2,2")
Longitud (incluye las tapas del objetivo):	CompM2 / ML2: 220 g (7,8 oz)
Acabado de superficie:	Anodizado duro, grafito gris oscuro, mate
Montaje:	Una anilla ancha, 30 mm de diámetro o una anilla QR Aimpoint
Tamaño del punto:	4 MDA**
Interruptor, brillo del punto:	CompM2: 10 pos.: 4 NVD, 6 luz diurna incluye 1 extra brillante CompML2: 10 posiciones: 1 Apagado, 9 luz diurna incluye 1 extra brillante
Rango de temperaturas máximas:	de -45°C a +70°C (de -50 F a +160 F)
Resistencia al agua:	Sumergible hasta 25 m (80 ft) de profundidad

**) Valores medios, que dependen del ajuste de brillo*

***) MDA: minuto de ángulo 1MDA = 30 mm a 100 metros = 1" a 100 yardas*

1.2.5 Modelo CompM3 y CompML3

Duración de la batería (horas):	50.000 h en posición 7 de 10 (Diodo ACET) Habitualmente 500.000 h en NVD (CompM3)
Longitud (incluye las tapas del objetivo):	130 mm (5,1")
Ancho:	62 mm (2,4"), incluye revestimiento de caucho, 55 mm (2,2") sin él
Altura:	58 mm (2,3"), incluye revestimiento de caucho, 55 mm (2,2") sin él
Longitud (incluye las tapas del objetivo):	270 g (9,5 oz), incluye el revestimiento de caucho, 220 g (7,8 oz) sin él
Acabado de superficie:	anodizado duro, grafito gris oscuro, mate
Revestimiento de caucho:	negro o marrón oscuro
Montaje:	una anilla ancha, 30 mm de diámetro o una anilla QR Aimpoint

Tamaño del punto:	2 ó 4 MDA*
Interruptor, brillo del punto:	CompM3: 10 posiciones: 4 NVD, 6 luz diurna incluye 1 extra brillante CompML3: 10 posiciones: 1 Apagado, 9 uyendo 1 extra brillante
Rango de temperaturas máximas:	de -45°C a +70°C (de -50 F a +160 F)
Resistencia al agua:	Sumergible hasta 45 m (135 ft) de profundidad

**)MDA: *Minuto de ángulo 1MDA = 30 mm a 100 metros = 1" a 100 yardas*

1.3 UBICACIÓN Y DESCRIPCIÓN DE LOS COMPONENTES Y LAS FUNCIONES PRINCIPALES

Véase Fig. 1, 2 y 7

- | | |
|---|--|
| 1. Tapa de la batería | 7. Correa de caucho (para los modelos CompM2/ML2 / M3/ML3) |
| 2. Batería (DL1/3N o similar) | 8. Protección ocular |
| 3. Cubierta para tornillo de ajuste | 9. Tapa de objetivo, trasera (para los modelos Comp) |
| 4. Tornillo de ajuste (pérdida por rozamiento/ elevación) | 10. Tapa de objetivo, delantera (para los modelos Comp) |
| 5. Interruptor giratorio | 11. Revestimiento de caucho: (para los modelos CompM3 y ML3) |
| 6. Correa de caucho (para los modelos 9000 y CompC3) | |

CAPÍTULO II

OPERACIÓN EN CONDICIONES NORMALES

2.1 MONTAJE Y PREPARATIVOS PARA EL USO

ATENCIÓN: asegúrese de que el arma no esté cargada y de que el selector esté en la posición “segura” antes de tratar de montar, desmontar o efectuar trabajos de mantenimiento en la mira.

2.1.1 Montaje de la batería

- Saque la tapa de la batería girándola en sentido opuesto a las agujas del reloj.
- Coloque la batería con el extremo positivo (+) hacia la tapa.
Precauciones al cambiar la batería (no se requieren si la mira no se utiliza)
Antes de colocar la tapa de la batería, asegúrese que la junta tórica esté montada y en buenas condiciones. De lo contrario, puede entrar agua en el compartimiento de la batería.
- Coloque la tapa de la batería girándola en el sentido de las agujas del reloj hasta que se bloquee. Apriétela sólo con la mano. El uso de herramientas puede dañar el equipo.
- Verifique que esté presente el punto rojo girando el interruptor giratorio en el sentido de las agujas del reloj.

2.1.2 Colocación de la anilla y la mira en el arma

Las miras de Aimpoint se pueden montar en casi todos los tipos de armas. Para el montaje, algunos modelos traen una o dos anillas; para otros modelos utilice las anillas estándar disponibles en el mercado. Si el arma no tiene o soporta una(s) base(s) adecuada(s), consulte a su distribuidor o a otra fuente cualificada.

- Si utiliza dos bases separadas sobre el arma, compruebe que las mismas queden paralelas y alineadas.
- Monte la/las anilla(s) sobre la base del arma adecuada (una base Weaver o Picatinny). Si utiliza 2 anillas, compruebe que la distancia entre ambos sea adecuada para la mira.
Nota: asegúrese de que haya lugar entre la parte delantera inferior de la mira y la base/el arma.
- En los modelos 9000: deben montarse sobre el arma usando una anilla Aimpoint de 30 mm o una montura QR. Se utiliza una anilla estándar de 30 mm, asegúrese de que ésta abarca una longitud como mínimo de 25 mm (también pueden utilizarse 2 anillas estándar)
- En los modelos 9000: monte la mira en el arma con anillas estándar de 30 mm.
- Compruebe que la mira quede correctamente ubicada para tiro con la mano derecha (véase fig. 5 y 7) o izquierda (véase fig. 6). Cuando se revisten de caucho los modelos CompM3 y CompML3, debe posicionarse la mira como se muestra en la fig 5 y 7.

- e) Por último, compruebe que todos los tornillos estén bien apretados en torno a la mira.
- f) Si utiliza tapas de objetivo, compruebe que estén bien colocadas y que se puedan abrir.
- g) Complete la puesta a cero (2.2.1)

2.1.3 Montaje del revestimiento de caucho en el modelo CompM3 y ML3

NOTA: el revestimiento de caucho debe montarse en el CompM3 y en el ML3 después de haber instalado la mira en la anilla.

Retire las tapas del objetivo (por detrás y por delante) y la correa de caucho.

Coloque la parte frontal de la mira en la apertura inferior del revestimiento de caucho y tire del revestimiento hacia atrás por encima de la parte trasera de la mira. No tire demasiado fuerte hacia atrás, ya que podría dañar el revestimiento. (fig. 2).

Vuelva a colocar las tapas del objetivo y la correa de caucho.

Cuando retire el revestimiento de caucho de la Mira, hágalo en sentido contrario.

Empiece a separar la parte trasera de la mira agarrando la parte trasera inferior del revestimiento de caucho, tirando del revestimiento hacia atrás y pasándolo por encima de la mira..

2.2. PROCEDIMIENTOS PARA LA OPERACIÓN

2.2.1 Puesta a cero

Las miras de Aimpoint se suministran en posición centrada. Generalmente, esto significa que sólo se requieren pequeños ajustes, siempre que la base (o las bases) esté(n) alineada(s).

PRECAUCIÓN: no siga ajustando los mecanismos de dispersión y elevación si advierte una resistencia.

El tornillo de ajuste de la elevación está situado en la parte superior de la mira, y el tornillo de dispersión está situado en el lado derecho o izquierdo en función del montaje de la mira en el arma. Las miras Aimpoint se pueden montar para tiradores diestros (fig. 5 y 7) o zurdos (fig.6). Cuando se monta el revestimiento de caucho en los modelos CompM3 y CompML3, debe posicionarse la mira como se muestra en las fig 5 y 7.

- a) Abra las tapas del objetivo trasero y delantero.
- b) Gire el interruptor giratorio en sentido de las agujas del reloj hasta que el punto rojo sea lo suficientemente intenso como para contrastar con el blanco.
- c) Retire las tapas de ajuste de dispersión y elevación.

NOTA: cada "clic" del tornillo de ajuste equivale a un movimiento de 10 mm del punto de impacto a 80 metros, (3 mm a 25 metros, 13 mm a 100 metros y 25 mm a 200 metros, o 1/4" a 50 yardas, 1/2" a 100 yardas y 1" a 200 yardas).

- d) Introduzca la herramienta de ajuste (moneda, destornillador, cuchillo) o el cuerpo del cartucho en la ranura del tornillo de ajuste y gire de la siguiente manera:
 - Para mover el punto de impacto hacia la derecha, gire el tornillo de ajuste de la dispersión en sentido opuesto a las agujas del reloj (en el sentido de las agujas del reloj, si el tornillo está situado en el lado izquierdo).
 - Para mover el punto de impacto hacia la izquierda, gire el tornillo de ajuste de la dispersión en sentido de las agujas del reloj (en sentido opuesto a las agujas, si el tornillo está situado en el lado izquierdo).
 - Para mover el punto de impacto hacia arriba, gire el tornillo de ajuste de la elevación en sentido opuesto a las agujas del reloj.
 - Para mover el punto de impacto hacia abajo, gire el tornillo de ajuste de la elevación en el sentido agujas del reloj.
- e) Confirme la puesta a punto disparando por lo menos tres tiros en un blanco de puesta a cero. Controle los puntos de impacto en el blanco de puesta a cero para confirmar la precisión, y repita el procedimiento mencionado arriba, si es necesario.
- f) Después del fuego inicial, compruebe que el soporte y la mira estén seguros.
- g) Gire el interruptor giratorio a la posición OFF (en sentido antihorario)
- h) Cierre las tapas del objetivo trasero y delantero.

CAPÍTULO III

OPERACIÓN EN CONDICIONES EXTREMAS

- a) Calor intenso (húmedo o seco): no se requieren procedimientos especiales.
- b) Frío intenso: el frío intenso puede acortar la duración de la batería. Guarde las baterías en los bolsillos internos de la ropa para mantenerlas calientes.
- c) Aire salado: no se requieren procedimientos especiales.
- d) Rocío de mar, agua, lodo y nieve: controle que la tapa de la batería y las dos tapas de los tornillos de ajuste estén apretadas antes de exponer la mira al rocío de mar, lodo y nieve o antes de introducirla en el agua. Apriétela sólo con la mano. Mantenga cerradas las tapas del objetivo cuando no utilice la mira. Limpie los objetivos con papel/paño especial y limpie la mira con un paño seco lo más rápido posible después de exponerla al agua, rocío de mar, lodo o nieve.
- e) Tormentas de polvo y arena: mantenga cerradas las tapas del objetivo cuando no utilice la mira.
- f) Grandes alturas: no se requieren procedimientos especiales.

PRECAUCIÓN: nunca limpie los objetivos con los dedos, siempre utilice papel/paño especial.

Si no dispone de papel/paño especial:

- Para eliminar las manchas (arena, hierba, etc.): sople los residuos.
- Para limpiar los objetivos: empañe los objetivos y séquelos con un paño suave.

CAPÍTULO IV

LOCALIZACIÓN DE FALLOS

4.1 EL PUNTO ROJO NO APARECE

Batería descargada:	cambie la batería
Batería mal colocada:	saque y vuelva a colocar la batería
La batería no tiene un buen contacto:	limpie las superficies de la batería y vuelva a colocarla.
El interruptor giratorio no funciona:	notifique al proveedor/armero

4.2 ES IMPOSIBLE LA PUESTA A CERO

El tornillo de ajuste está en su límite:	controle la alineación del soporte y el cañón
El punto de impacto se mueve:	compruebe la estabilidad del soporte

CAPÍTULO V

MANTENIMIENTO

- Esta mira reflex no requiere ningún mantenimiento especial siempre y cuando se utilice en condiciones normales.
- Si la mira va a utilizarse en condiciones atmosféricas extremas, consulte el capítulo III.
- Mantenga cerradas las tapas del objetivo cuando no utilice la mira.
- Almacenamiento: saque la batería y deje que las superficies de los objetivos se sequen completamente (si están húmedas) antes de colocarles las tapas.
- Para limpiar los objetivos, consulte "PRECAUCIÓN" en el capítulo III.

KAPITEL I

1.1 INLEDNING

Aimpoints sikten är robusta, opto-elektroniska rödpunktsikten utvecklade för civilt, polisiärt och militärt bruk.

Siktorna är gjorda för att användas med båda ögonen öppna. Den röda punkten ligger i samma optiska plan som målet, oavsett avstånd. Detta ger en snabb uppfattning av målet. Allt som sker däromkring kan dessutom observeras obehindrat.

Den parallaxfria konstruktionen innebär att den röda punkten följer skyttens förflyttning av ögat, samtidigt som den ligger kvar på målet. Detta eliminerar behovet att centrera ögat mot siktet. Siktet tillåter dessutom obegränsat ögonavstånd.

Siktorna CompM2 och CompM3 är kompatibla med samtliga på marknaden förekommande ljusförstärkare (NVD: GI, GII och GIII), medan de andra modellerna är optimerade för förhållanden där ljusförstärkning inte är nödvändig.

Den nya serien sikten från Aimpoint använder den nya revolutionerande ACET-tekniken (Advanced Circuit Efficiency Technology), som presenterades 2005. ACET kombinerar Aimpoints överlägsna träffsäkerhet och användarvänlighet med betydligt lägre strömförbrukning.

1.2 SPECIFIKATION

1.2.1 Samtliga modeller

Material – hus:	Extruderad, höghållfast aluminium, anodiserad
Material – gummiskydd:	Kloropren gummi (motsvarar MIL-R-6855)
Material – linsskydd:	Termoplastisk elastomer, svart, icke-reflekerande
Optisk förstoring:	1X för alla modeller
Ögonavstånd:	Obegränsat, ingen centrering nödvändig
Optisk beläggning:	Anti Reflex-beläggning, samtliga ytor Multi Layer-beläggning för reflexion Band Pass-beläggning för NVD*-kompatibilitet
(CompM2 och CompM3)	
Batteri:	1st 3-volts litiumbatteri typ 2L76 eller DL1/3N
Justerområde:	±2 m på 100 meter, sido- och höjjustering 1 klick = 10 mm på 80 meter = 13 mm på 100 meter

*NVD: Night Vision Device (ljusförstärkare)

1.2.2 Modell 9000SC, 9000SC-Camo* och 9000L

Batteritid (h):	50.000 h vid inställning 7 av 10 (ACET-diod)
Längd:	9000SC: 160 mm 9000L: 200 mm
Bredd / höjd	9000SC/L: 55 mm
Vikt:	9000SC: 210 g 9000L: 230 g
Yta:	Kolsvart, semimatt. 9000SC Camo med kamouflagemönster
Fäste:	2 ringar, 30 mm diameter
Avstånd mellan ringarna:	9000SC: min 55 mm, max 115 mm 9000L: min 60 mm, max 155 mm
Punktstorlek:	2 eller 4 MOA**
Omställare, punktens ljusstyrka:	10 lägen: 1 av, 9 daglägen, varav ett extra starkt
Max temperaturintervall:	-30° C till +60° C
Vattentäthet:	Nedsänkbart till 5 m djup

**) Alla data för modell 9000SC-Camo är identiska med Model 9000SC, utom ytan.*

***) MOA: Minute Of Angle, 1 MOA = 30 mm vid 100 meter*

1.2.3 Modell CompC3

Batteritid (h):	50.000 h vid inställning 7 av 10, (ACET-diod)
Längd:	CompC3: 125 mm
Bredd / höjd:	CompC3: 55 mm
Vikt:	CompC3: 200 gram
Yta:	Kolsvart semimatt
Fäste:	En bred ring, 30 mm diameter
Punktstorlek:	2 eller 4 MOA**
Omställare, punktens ljusstyrka:	10 lägen: 1 av, 9 daglägen, varav ett extra starkt
Max temperaturintervall:	-30° C till +60° C
Vattentäthet:	Nedsänkbart till 5 m djup

***) MOA: Minute Of Angle, 1 MOA = 30 mm vid 100 meter*

1.2.4 Modellerna CompM2 och CompML2

Batteritid (h):	1.000–10.000 h (CET-diod)* Normalt 100.000 h med NVD-inställning (CompM2)
Längd (inkl linsskydd):	CompM2 / ML2: 130 mm
Bredd / höjd:	CompM2 / ML2: 55 mm
Vikt (inkl linsskydd):	CompM2 / ML2: 200 gram
Yta:	Härdanodiserad, mörk grafitgrå, matt
Montering:	En bred ring, 30 mm diam, eller Aimpoint QR-ring
Punktstorlek:	4 MOA**
Omställare, punktens ljusstyrka:	CompM2: 10 lägen: 4 NVD, 6 daglägen, varav 1 extra starkt CompML2: 10 lägen: 1 av, 9 daglägen, varav 1 extra starkt
Max temperaturområde:	-45 °C to +70 °C
Täthet:	Nedsänkbart till 25 m vattendjup

*) *Genomsnittsvärden, beroende på ljusstyrkan*

**) *MOA: Minute Of Angle, 1 MOA = 30 mm vid 100 meter*

1.2.5 Modellerna CompM3 och CompML3

Batteritid (h):	50.000 h vid inställning 7 av 10, (ACETdiod) Normalt 500 000 h* med NVD-inställning (CompM3)
Längd (inkl. linsskydd):	130 mm
Bredd:	62 mm med gummiskydd, 55 mm utan
Höjd:	58 mm med gummiskydd, 55 mm utan
Vikt (inklusive linsskydd):	270 gram, inkl. gummiskydd, 220 gram utan
Yta:	Härdanodiserad, mörkgrå grafit, matt
Gummiskydd:	Svart eller mörkbrunt
Fäste:	En bred ring, 30 mm diameter, eller Aimpoint QR-ring
Punktstorlek:	2 eller 4 MOA**
Omställare, punktens ljusstyrka:	CompM3: 10 lägen: 4 NVD, 6 daglägen, varav ett extra starkt CompML3: 10 lägen: 1 av, 9 daglägen, varav ett extra starkt
Max temperaturintervall:	-45° C till +70° C
Vattentäthet:	Nedsänkbart till 45 m djup

**) *MOA: Minute Of Angle, 1 MOA = 30 mm vid 100 meter*

1.3 PLACERING OCH BESKRIVNING AV VIKTIGARE KOMPONENTER OCH FUNKTIONER

Se fig. 1, 2 och 7

- | | |
|---|---|
| 1. Batteriplugg | 7. Gummirem (för modellerna CompM2/ML2/M3/ML3) |
| 2. Batteri
(DL1/3N eller motsvarande) | 8. Ögonmussla |
| 3. Lock till justerskruv | 9. Linsskydd, bakre (för alla Comp modellerna) |
| 4. Justerskruv
(sido- och höjdjustering) | 10. Linsskydd, främre (för alla Comp modellerna) |
| 5. Omkopplarratt | 11. Gummiskydd
(för modellerna CompM3 och ML3) |
| 6. Gummirem
(för 9000 modellerna och CompC3) | |

KAPITEL II

ANVÄNDNING UNDER NORMALA FÖRHÅLLANDEN

2.1 MONTERING OCH FÖRBEREDELSE

WARNING: Försäkra dig om att vapnet är oladdat och säkrat innan du monterar, gör underhåll på eller tar bort siktet.

2.1.1 Montering av batteriet

- Skriva ur batteripluggen
- Sätt in batteriet med pluspolen (+) mot pluggen
Att tänka på när batteriet skall bytas (behövs ej när siktet är nytt):
Kontrollera gängorna i huset och på batteripluggen samt att o-ringen är på plats och hel innan batteripluggen skruvas på. Avsaknad av eller skadad o-ring medför vattenläckage in i batteriutrymmet.
- Skriva i batteripluggen hårt, med handkraft. Verktyg skall ej användas.
- Kontrollera att punkten lyser genom att vrida på omkopplaren medurs.

2.1.2 Montering av ring(ar) och sikte till vapnet

Siktorna är konstruerade för att passa de flesta typer av vapen. För montering levereras vissa modeller av siktorna med en eller två ringar, de övriga modellerna kan monteras med standard ringar tillgängliga på marknaden. Om vapnet inte är försett med klack(ar) för montering av ring(ar) eller förberett för sådana, kontaktar du din vapenhandlare eller en vapensmed.

- Om vapnet är försett med två klackar kontrollerar du att klackarna är parallella och i linje.

- b) Montera ringen (ringarna) på klackarna (typ Weaver eller Picatinny). Om två ringar används kontrollerar du att siktets längd motsvarar avståndet mellan ringarna.

Anmärkning: kontrollera att siktets undre och främre del ej ligger mot klackens eller vapnets ovandel.

- c') Comp-modeller: Montera siktet på vapnet med Aimpoints breda 30 mm ring eller QR-ring. Om andra ringar används, tänk på att ringen bör täcka en längd av min 25 mm (eventuellt kan två standardringar monteras intill varandra).
- c'') 9000-modeller: Montera siktet till vapnet med standard 30 mm-ringar.
- d) Se till att siktet är korrekt monterat med hänsyn till högerskyttar (bilder 5 & 7) eller vänsterskyttar (bild 6). När gummiskyddet är monterat på CompM3 och CompML3 måste du ställa in siktet enligt bild 5 & 7.
- e) Om linsskydd används kontrollerar du att de är korrekt monterade och lätt kan öppnas.
- f) Slutligen kontrollerar du att samtliga skruvar som håller siktet mot vapnet är fastdragna.
- g) Genomför inskjutning enligt 2.2.1.

2.1.3 Montera gummiskyddet på CompM3 och ML3

OB! Gummiskyddet ska monteras på CompM3 och ML3 efter att siktet fästs i ringen.

Ta bort linsskydden (främre och bakre) samt gummiremmen.

Sätt främre delen av siktet i den nedre öppningen på gummiskyddet. Dra skyddet bakåt över bakre delen av siktet. Se till att inte dra för hårt eller för långt, gummit kan bli förstört. (bild 2).

Sätt tillbaka linsskydden och gummiremmen.

När du tar bort gummiskyddet från siktet gör du på omvänt vis. Börja med att dra bort bakre delen från siktet genom att ta tag i den nedre, bakre delen av gummiskyddet och dra gummit bakåt och uppåt över siktet.

2.2 ANVÄNDNING

2.2.1 Inskjutning

Aimpoints sikten levereras med justeringarna (sida och höjd) inställda i ett centrerat läge. Detta innebär att endast små justeringar av siktet normalt sett behöver göras vid inskjutningen, förutsatt att klackarna är korrekt monterade på vapnet.

OBSERVERA: Fortsätt inte att skruva justerskruvorna hårt mot botten om du känner ett motstånd.

Höjdjusterskraven sitter alltid på siktets ovansida medan sidojusterskraven sitter på siktets höger- eller vänstersida, beroende på hur siktet monterats på vapnet. Siktet kan monteras för användning av högerhänta (bild 5 och 7) eller vänsterhänta (bild 6) skyttar. När gummiskyddet är monterat på CompM3 eller CompML3 måste du ställa in siktet enligt bild 5 och 7.

- a) Öppna linsskydden.
- b) Vrid på omkopplaren medurs tills den röda punkten lyser med en intensitet som ger bra kontrast mot målet.
- c) Skruva av hattarna på justerskruvorna.

OBSERVERA: Varje klick i justeringarna motsvarar 10 mm förflyttning av träffpunkten på 80 meter (3 mm på 25 meter, 13 mm på 100 meter och 25 mm på 200 meter).

- d) Använd ett enkelt verktyg (mynt, skruvmejsel, kniv eller liknande) eller en tomhylsa för att justera skottställningen enligt följande:
 - För att flytta träffpunkten åt höger, vrid sidojusterskraven moturs (medurs om justerskraven sitter på vänster sida).
 - För att flytta träffpunkten åt vänster, vrid sidojusterskraven medurs (moturs om justerskraven sitter på vänster sida).
 - För att flytta träffpunkten uppåt, vrid höjdjusterskraven moturs.
 - För att flytta träffpunkten nedåt, vrid höjdjusterskraven medurs.
- e) Kontrollera inskjutningen genom att skjuta minst tre skott mot en tavla. Upprepa vid behov ovannämnda procedur tills träffpunkten ligger rätt.
- f) Kontrollera efter inskjutningen att sikte med montage är ordentligt fast.
- g) Stäng linsskydden.

KAPITEL III

ANVÄNDNING UNDER EXTREMA FÖRHÅLLANDEN

- a) Extrem värme (fuktig eller torr): Siktet kan användas som vanligt.
- b) Extrem kyla: Extrem kyla kan förkorta batteritiden.
- c) Saltbemängd luft: Siktet kan användas som vanligt.
- d) Dimma, vatten, smuts eller snö: Kontrollera att batteripluggen är åtdragen innan siktet utsättes för dimma, vatten, smuts och snö eller innan siktet sänks i vatten. Pluggen skall dras åt med handkraft (ej verktyg).
- e) Sandstorm: Linsskydden bör vara stängda / monterade.
- f) Hög höjd: Siktet kan användas som vanligt.

OBSERVERA: Linserna skall aldrig rengöras med enbart fingrarna, utan med en mjuk, ren putsduk eller putspapper avsett för optik. Om sådan duk/papper saknas:

- Ta bort smuts (sand, gräs etc): blås bort smutsen
- Rengör linserna: Andas imma på linsen och torka med en bit mjukt och rent tyg.

KAPITEL IV

FELSÖKNING

4.1 PUNKTEN SYNS EJ

Förbrukat batteri:	Byt batteri.
Batteriet felaktigt insatt: pluggen.	Ta ut och sätt in batteriet med pluspolen (+) mot pluggen.
Dålig kontakt vid batteriet: (försiktigt!) och sätt in batteriet igen.	Rengör kontaktytorna på batteriet och i siktet
Defekt omställare:	Kontakta vapenhandlaren eller leverantören.

4.2 OMÖJLIGT ATT SKOTTSTÄLLA

Justerskruvarna går ej att skruva längre (med- eller moturs):	Kontrollera att klackarna är i linje med pipan.
Träffpunkten flyttas: ordentligt fast.	Kontrollera att klackarna och siktet sitter

KAPITEL V

UNDERHÅLL

- Siktet kräver inget speciellt underhåll så länge det används under normala förhållanden.
- Under svåra väderförhållanden – se kapitel III.
- Ha alltid linsskydden monterade / stängda när siktet ej används.
- Längre tids förvaring: Ta ut batteriet och låt linserna torka ordentligt innan linsskydden monteras / stängs.
- Rengöring av linserna – se kapitel III.

WARRANTY

Aimpoint guarantees this product to be free from original manufacturer defects in material and/or workmanship under normal use for a period of two years for professional or frequent competition use and ten years for personal use from the date of purchase.

Personal use shall mean: use of the sight in a way that implies less exposure than professional use.

Professional or frequent competition use shall mean: daily or highly frequent use of the sight in professional activities (military or law enforcement) or under conditions that could be compared to as professional.

The warranty is valid provided that the sight has not been misused, disassembled or tampered with in any way.

Any attempt to disassemble or repair the product will void the warranty.

This warranty shall not apply to rubber and thermoplastic components.

This warranty is limited to the original purchaser of the product/s and is not transferable to any third party, unless otherwise follows from mandatory law.

Any warranty claim must be accompanied by a copy of the original receipt showing date of purchase and shall be notified as soon as can be reasonably required.

In case the product is defective in original manufacturer material and/or workmanship, Aimpoint undertakes either to repair, replace or compensate the purchaser its purchase price for such defective product.

Serial no:

Purchase date:

AIMPOINT DISCLAIMS ALL IMPLIED WARRANTIES IN CONNECTION WITH THE SALE OF THIS PRODUCT, INCLUDING, BUT NOT LIMITED TO, THE IMPLIED WARRANTY OF FITNESS FOR A PARTICULAR PURPOSE AND THE IMPLIED WARRANTY OF MERCHANTABILITY. THERE ARE NO EXPRESS WARRANTIES THAT EXTEND BEYOND THIS WRITTEN WARRANTY OR ANY EXPRESS WARRANTY CONTAINED IN THE PRODUCT LITERATURE INCLUDED IN THE PACKAGING OF THIS PRODUCT.

GARANTIE

Aimpoint garantit que ce produit est exempt de défaut, tant au niveau des matériaux que de la fabrication, pour une utilisation normale pendant une période de deux ans à partir de la date d'achat pour une utilisation professionnelle ou fréquente en compétition et pendant une période de dix ans à partir de la date d'achat pour une utilisation privée.

Une utilisation privée est définie comme : une utilisation du viseur qui entraîne une exposition moindre que pour une utilisation professionnelle.

Une utilisation professionnelle ou des compétitions fréquentes sont définies comme : une utilisation quotidienne ou très fréquente du viseur dans des activités professionnelles (militaires ou policières) ou dans des conditions comparables à celles de professionnels.

La garantie ne s'applique que si le viseur a été utilisé correctement et n'a pas été démonté ni modifié de quelque façon que ce soit.

Toute tentative de démontage ou de réparation du produit annule la garantie.

Cette garantie ne s'applique ni aux composants thermoplastiques, ni aux composants en caoutchouc.

Cette garantie se limite à l'acheteur d'origine du/des produits et n'est pas transférable à un tiers, sauf indication contraire dans la législation en vigueur.

Toute réclamation au titre de la garantie doit être accompagnée d'une copie du reçu d'origine indiquant la date d'achat et doit être effectuée aussi rapidement que possible et dans un délai raisonnable.

Si le produit est défectueux au niveau des matériaux et/ou de la fabrication, Aimpoint s'engage à réparer, remplacer, ou compenser l'acheteur du prix d'achat d'un tel produit défectueux.

N° de série :

Date d'achat :

AIMPOINT REJETTE TOUTE GARANTIE TACITE ASSOCIÉE À LA VENTE DE CE PRODUIT, Y COMPRIS, MAIS NON LIMITÉ À, LA GARANTIE IMPLICITE D'ADÉQUATION À UNE UTILISATION SPÉCIFIQUE ET LA GARANTIE IMPLICITE DE COMMERCIALISABILITÉ. IL N'EXISTE AUCUNE GARANTIE EXPRESSE AU-DELÀ DE LA PRÉSENTE GARANTIE ÉCRITE NI AUCUNE GARANTIE EXPRESSE CONTENUE DANS LA DOCUMENTATION DU PRODUIT LIVRÉE DANS L'EMBALLAGE DE CE PRODUIT..

GARANTIE

Aimpoint garantiert, dass dieses Produkt bei sachgemäßer Verwendung - über einen Zeitraum von zwei Jahren ab Kaufdatum für den beruflichen oder regelmäßigen, wettbewerbsmäßigen Gebrauch und über einen Zeitraum von zehn Jahren ab Kaufdatum für den persönlichen Gebrauch - keine vom Originalhersteller verursachten Material- bzw. Herstellungsfehler aufweist.

Persönlicher Gebrauch bedeutet: Gebrauch, der das Visier weniger beansprucht, als der berufliche Gebrauch.

Beruflicher oder regelmäßiger, wettbewerbsmäßiger Gebrauch bedeutet: täglicher oder sehr häufiger Gebrauch des Visiers bei beruflichen

Aktivitäten (Militär oder Polizei) oder Gebrauch unter Bedingungen, die der beruflichen Verwendung gleichgesetzt werden können.

Diese Garantie schließt Schäden aus, die auf unsachgemäßen Gebrauch, Demontage oder Manipulation des Visiers zurückzuführen sind.

Mit dem Versuch, das Visier zu demontieren oder zu reparieren, wird diese Garantie ungültig.

Diese Garantie gilt nicht für Bauteile aus Gummi oder Thermoplast.

Falls gesetzlich nicht anders vorgeschrieben, kann diese Garantie nur vom Käufer des Produkts bzw. der Produkte geltend gemacht werden.

Ein Garantieanspruch kann nur mittels Originalrechnung und darauf vermerktem Kaufdatum erhoben werden und muss ehestmöglich gemeldet werden.

Bei vom Originalhersteller verursachten Material- bzw. Herstellungsfehlern wird das Produkt von Aimpoint entweder repariert, ausgetauscht oder dem Käufer der Kaufpreis für das defekte Produkt rückerstattet.

Seriennummer:

Kaufdatum:

AIMPOINT ÜBERNIMMT KEINERLEI GESETZLICHE ZUSICHERUNG DEN VERKAUF DIESES PRODUKTES BETREFFEND, INSBESONDERE NICHT DIE ZUSICHERUNG DER ERFORDERLICHEN GEBRAUCHSTAUGLICHKEIT UND DER ALLGEMEINEN GEBRAUCHSTAUGLICHKEIT. ES GIBT WEDER VERTRAGLICHE ZUSICHERUNGEN, DIE ÜBER DIESE SCHRIFTLICHE GARANTIE HINAUSREICHEN, NOCH EINE VERTRAGLICHE ZUSICHERUNGEN IN DER DEM PRODUKT BEILIEGENDEN DOKUMENTATION.

GARANTÍA

Aimpoint garantiza que este producto no presenta defectos de fabricación respecto a los materiales y/o calidad, bajo condiciones normales de utilización, durante un periodo de dos años desde la fecha de compra en caso de uso profesional o de competiciones frecuentes, y de diez años en caso de uso personal.

Por uso personal se entiende: utilización de la mira de manera que suponga una frecuencia de uso menor que en actividades profesionales.

Por uso profesional y competiciones frecuentes se entiende: utilización diaria o muy frecuente de la mira en actividades profesionales (cuerpos de policía y ejército) o bajo condiciones similares que podrían considerarse profesionales.

La garantía será válida siempre y cuando la mira no se haya utilizado de manera incorrecta ni se haya desmontado ni forzado de alguna manera.

Cualquier intento de desmontar o reparar el producto anulará la garantía.

Esta garantía no es válida para los componentes termoplásticos y de caucho.

Esta garantía sólo incluye al comprador original del producto y no puede transferirse a terceras partes, a menos que así lo disponga una ley de cumplimiento obligatoria.

Toda reclamación en virtud de la garantía debe acompañarse de una copia de la factura original en la que aparezca la fecha de compra y debe notificarse tan pronto como sea posible tras su petición.

En caso de que el producto resulte defectuoso en lo que se refiere al material o a calidad de fabricación, Aimpoint se compromete a reparar, reemplazar o reembolsar al comprador el precio de compra del producto defectuoso.

No de serie:

Fecha de compra:

AIMPOINT NO SE HACE RESPONSABLE DE LAS GARANTÍAS IMPLÍCITAS QUE TENGAN RELACIÓN CON LA VENTA DE ESTE PRODUCTO, INCLUYENDO, PERO NO LIMITADAS A, LA GARANTÍA IMPLÍCITA DE MANTENIMIENTO PARA PROPÓSITOS PARTICULARES Y LA GARANTÍA IMPLÍCITA DE COMERCIALIZACIÓN. NO EXISTEN GARANTÍAS EXPRESAS QUE SE EXTIENDAN MÁS ALLÁ DE ESTA GARANTÍA ESCRITA NI SE INCLUYE NINGUNA GARANTÍA EXPRESA EN EL MANUAL DE INSTRUCCIONES QUE SE PROPORCIONA EN EL EMBALAJE DE ESTE PRODUCTO.

GARANTI

Aimpoint garanterar att den här produkten vid normal användning inte har några fel avseende ursprungstillverkarens material och/eller arbete under en period av två år från inköpsdatum vid professionell användning eller flitigt tävlande samt under tio år från inköpsdatum vid personlig användning.

Personlig användning innebär: användning av siktet på ett sätt som gör det mindre utsatt än vid professionell användning.

Professionell användning och flitigt tävlande innebär: dagligt eller flitigt användande av siktet under professionella aktiviteter (militära eller polisiära) eller under förhållanden som kan jämföras med professionella.

Garantin är giltig under förutsättning att siktet inte använts på ett felaktigt sätt, tagits isär eller manipulerats på något sätt.

Alla försök att ta isär eller reparera produkten innebär att garantin inte gäller.

Den här garantin gäller inte komponenter av gummi eller termoplast.

Garantin är begränsad till den ursprungliga köparen av produkten (produkterna) och kan inte överföras till tredje part, om inget annat sägs i bindande lagstiftning.

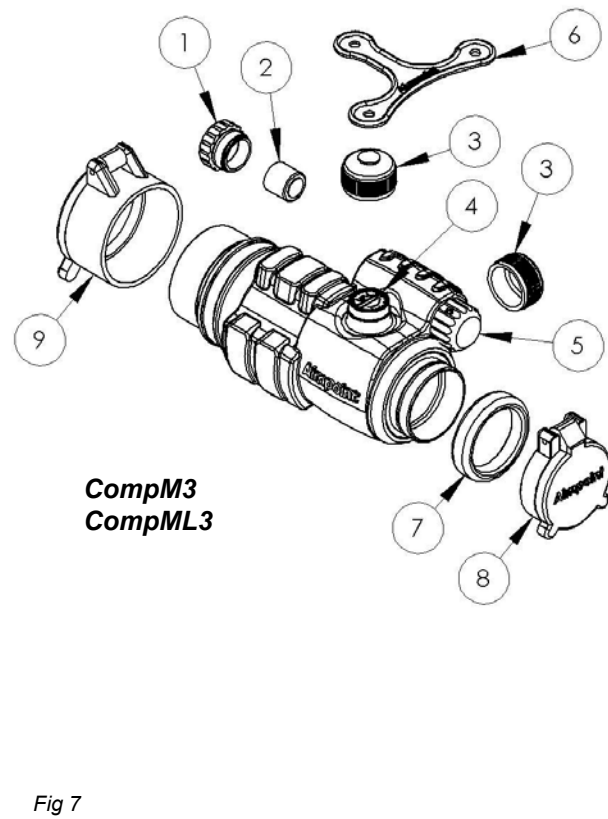
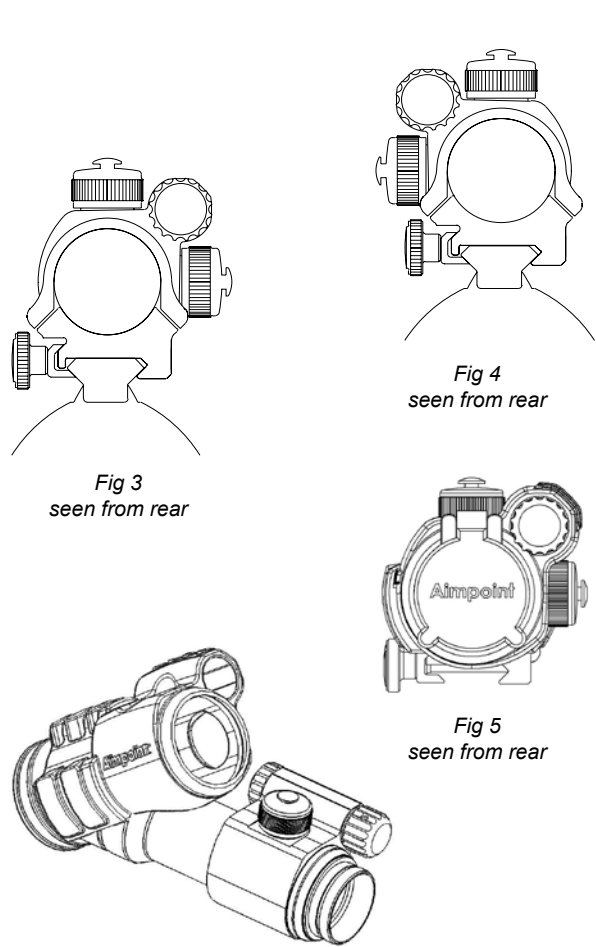
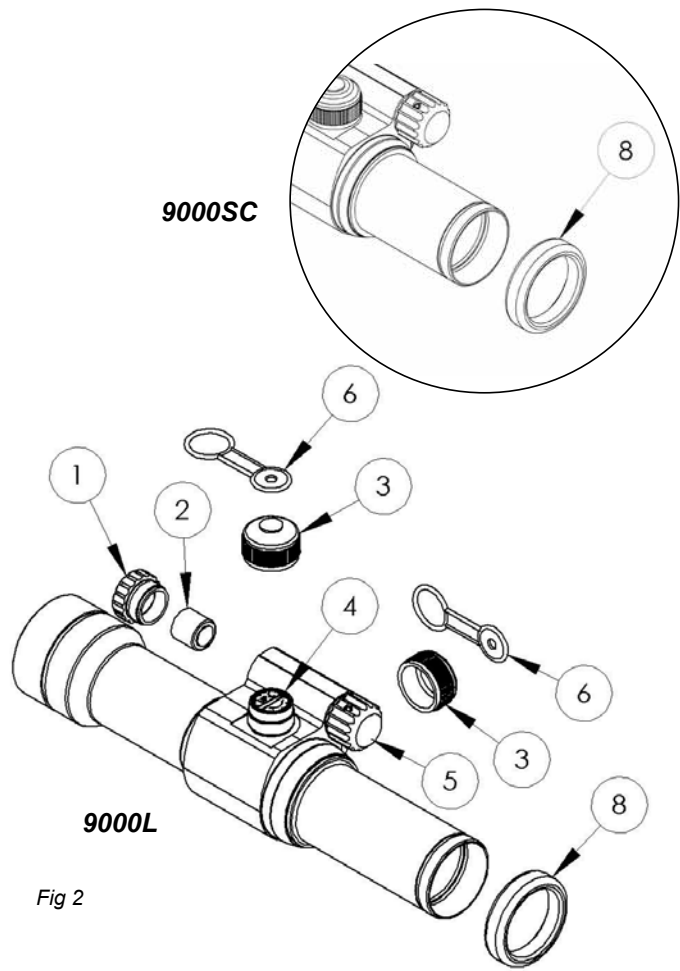
Alla garantikrav måste åtföljas av en kopia av ursprungskvittot där inköpsdatum visas. Kravet måste väckas så snart som kan anses rimligt.

Om produkten är defekt avseende ursprungstillverkarens material och/eller arbete åtar sig Aimpoint att reparera eller byta ut produkten eller ersätta köparen med inköpspriset för den defekta produkten.

Serienummer:

Inköpsdatum:

AIMPOINT FRÅNSÄGER SIG ALLA UNDERFÖRSTÅDDA GARANTIER I SAMBAND MED FÖRSÄLJNING AV PRODUKTEN, INKLUSIVE, MEN INTE BEGRÄNSAT TILL UNDERFÖRSTÅDDA GARANTIER AVSEENDE LÄMPLIGHET FÖR ETT VISST ÄNDAMÅL ELLER SÄLJBARHET. DET FINNS INGA UTTRYCKLIGA GARANTIER UTÖVER DENNA SKRIFTLIGA GARANTI OCH INGA UTTRYCKLIGA GARANTIER I PRODUKTLITTERATUREN SOM MEDFÖLJER I PRODUKTENS FÖRPACKNING.



Owner's name.....

Phone.....

Address.....

City..... ZipCode..... Country.....

Place of purchase.....

Address..... Phone.....

City..... Country.....

Date of purchase.....

Model of sight purchased.....

